

NETbox SLIM 19" Network Wall Mounting C A B I N E T S



19" NETbox SLIM Wall Mounting Cabinets

3U + 5U : 8U

NETbox SLIM Wall Mounting Cabinet Features , Construction Details:

Monoblock construction provides better stability.

The NETbox SLIM Wall Mounting is for that situation where quick access to the equipment is of primary importance. It is designed to house 19" standard mounting devices, in environmentally fit needs especially in Residential applications and villas, modern and elegant offices, hotel reception and living areas

The NETbox SLIM Wall Mounting cabinet offers an assembly-friendly solutions for numerous applications in the field of network technology and electronics.

The 3U +5U :8U NETbox SLIM Wall Mounting cabinet Front door is splitted metal front door, with barrel lock on top and bottom. Alternatively single monoblock polycarbonate front door with single barrel locking unit.

Cable access

*Multiple knock-out cable entry points on top and bottom with 40x104mm size .

3U+5U=8 U version

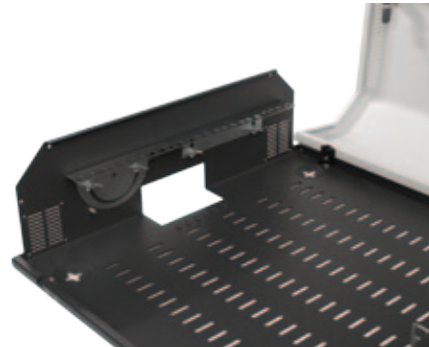
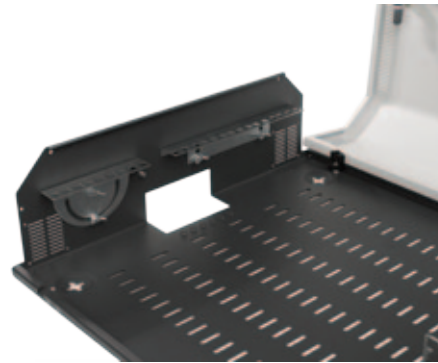
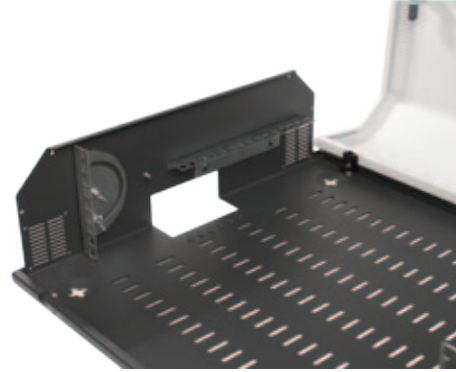
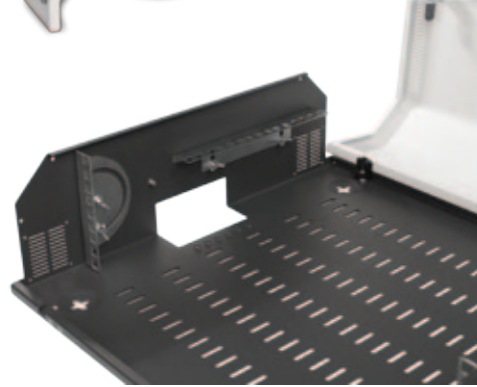
19" Rails have with multiple configuration inside the cabinet

3U 19" rails are reversible at 90 degree from vertical to horizontal position.

3U 19" rails are movable to connect to 5U 19" rails to create full length 8U long 19" rails.

5U 19" rails are sliding up down position on a 20mm sliding channel.

*** All 19" rails are connected to cabinet with wing nuts, which give advantage of toolless application at site works.



Width=520mm
Depth=480mm

Standard Heights:

2 Different U Heights: 3U + 5U : 8U
5U + 5U : 10U

Standards, and Compliances:



ISO 9001:2008

Quality Management System

EN 61587 -1:2012

Mechanical Structures for
Electronic Equipment

IEC 297-1, 19" mounting

IEC 297-2 Overall cabinet dimensions



CE conform to

EN 60950-1:2006

Information Technology
Equipment – Safety – Part-1-
General Requirements



Environment Friendly;

*Environmental awareness

*RoHS compliancy

*% 100 Recyclable
Material

Load Capacity: 30 kgs.



NETbox SLIM series Wall Mounting Networking Enclosures, with 19" w:520mm and d:480mm physical sizes, with less depth need in environmentally fit especially for residential applications and wide application of 19" usage.

All Lande NETbox SLIM Wall cabinets are being delivered as a single piece pre-assembled enclosure, with standard factory

settings.

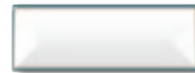
For Decoratively fitting to environment of your living areas, the cabinet has been integrated with highly modern, art fragrant parts and accessories.

For door and panel variations for different purpose of usage.

*** Please see door options at the end of each product size.

Standard Color:

Front section:



RAL 7035 Light Grey

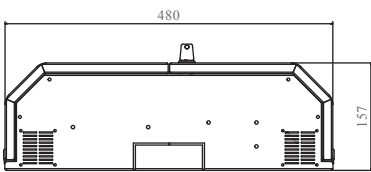
Rear Section:



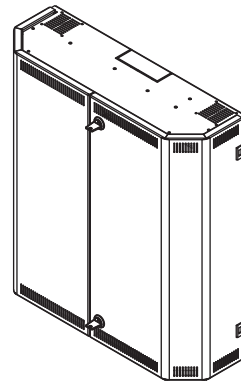
RAL 7016 Antracite
Grey



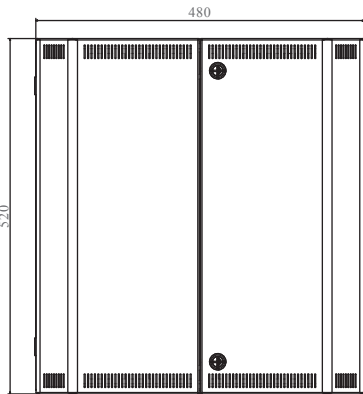
3U+5U: 8U
CONSTRUCTION
DRAWING



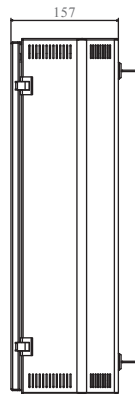
BOTTOM VIEW



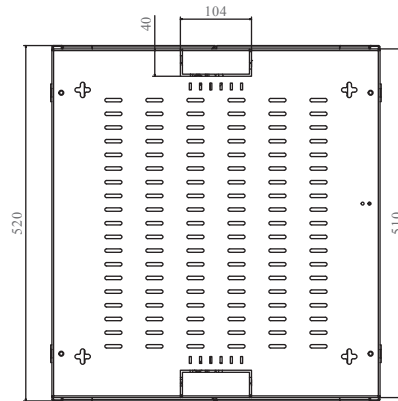
ISOMETRIC VIEW



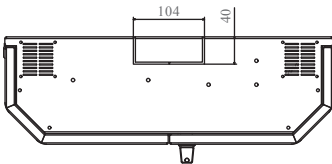
FRONT VIEW



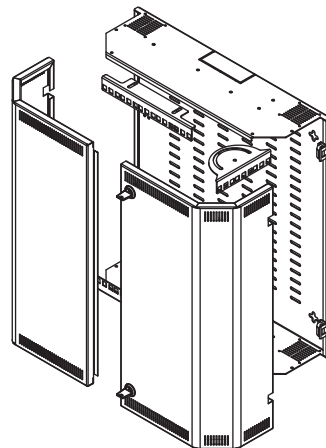
SIDE VIEW



REAR VIEW

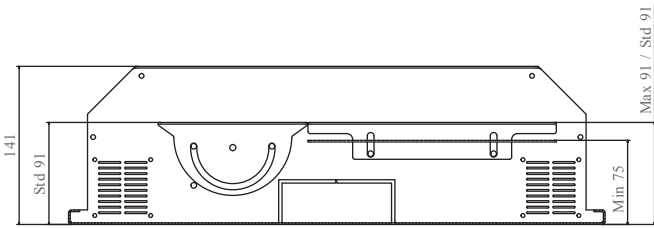


TOP VIEW

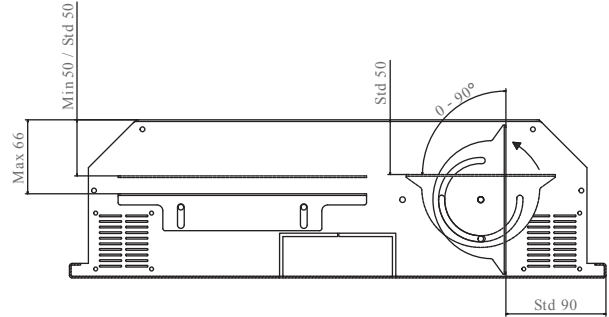


EXPLODED VIEW

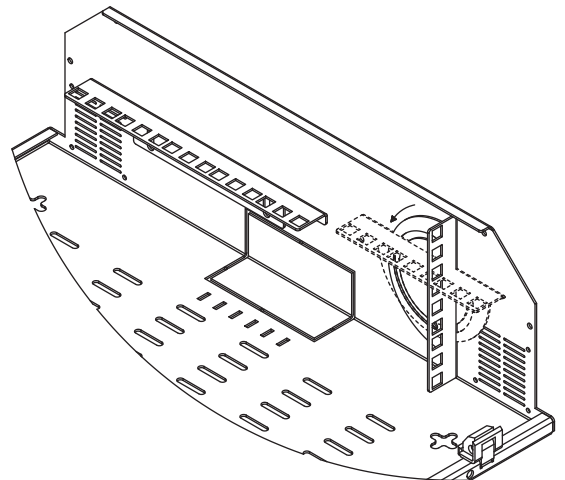
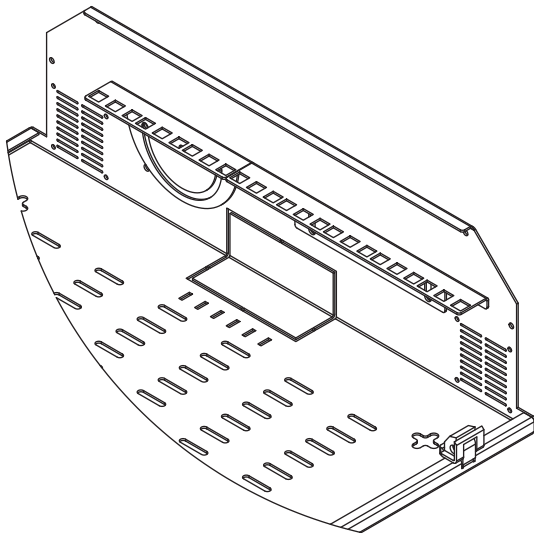
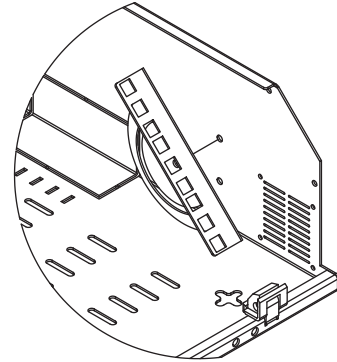
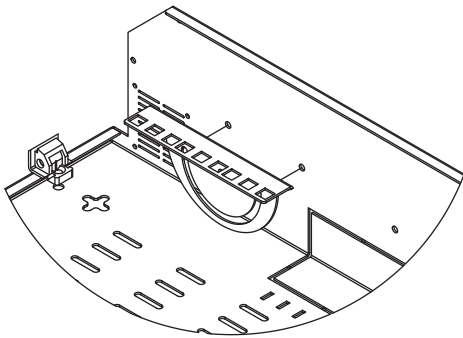
3U+5U: 8U
CONSTRUCTION
DRAWING



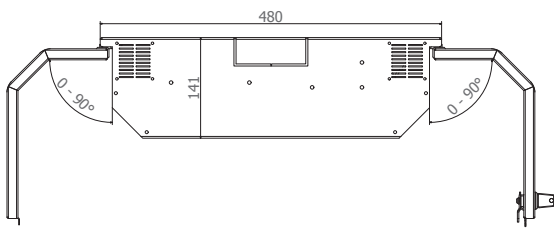
MAX / STD / MIN EQUIPMENT
MOUNTING DISTANCE



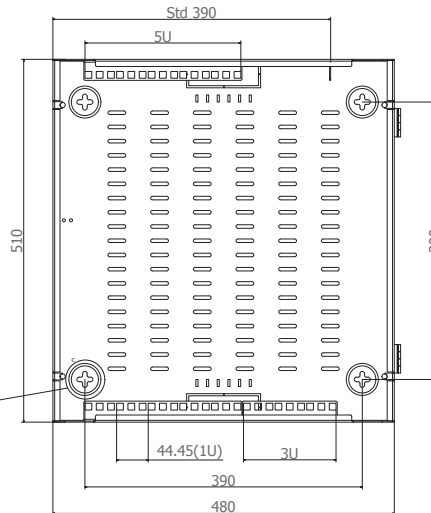
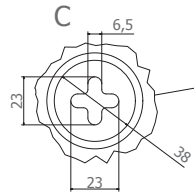
MAX / STD / MIN EQUIPMENT
MOUNTING DISTANCE



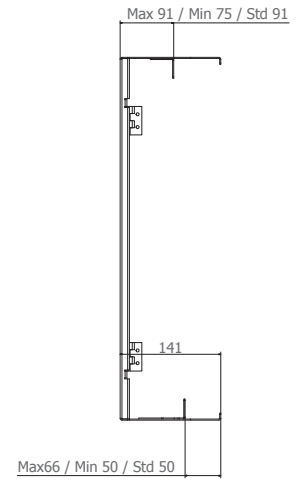
3U+5U: 8U
CONSTRUCTION
DRAWING



FRONT DOOR
OPENING ANGLE



MAX/STD/MIN
EQUIPMENT MOUNTING
DISTANCE



MAX/STD/MIN
EQUIPMENT MOUNTING
DISTANCE

NETbox SLIM Series Wall Mounting 19" Cabinets W=480mm D=520mm

ROOT Product Number	Product Description	Size WxDxH mm	h size in U	Width Overall mm	Width Rail to Rail mm	Depth Overall mm	QTY IN PACKAGE	PACKING DIMENSIONS WxDxH mm	Standard NET Weight of product kgs	Gross Weight of Product kgs	QTY IN PALETTE	PALETTE DIMENSIONS WxDxH mm	Palette Weight kgs
LN-SLM08U4944-MD	NETbox Slim Series Wall Mounting Cabinet, 3U + 5U total 8U usage, 3U frontal vertical 19" rails are rotatable to horizontal assembly, Vertical or Horizontal equipment mounting possibility, 5U passive equipment mounting section, RAL 7016 / RAL 7035 Combination, Solid Metal Double Front door	480x160x522	3U+5U	480	19"	522	1	500x180x540	8,3	9,1	32	1300x1300x1280	340
LN-SLM08U4944-PD	NETbox Slim Series Wall Mounting Cabinet, 3U + 5U total 8U usage, 3U frontal vertical 19" rails are rotatable to horizontal assembly, Vertical or Horizontal equipment mounting possibility, 5U passive equipment mounting section, RAL 7016 / RAL 7035 Combination, Polycarbonate Single Front Door	480x150x522	3U+5U	480	19"	522	1	500x180x540	6,9	7,7	32	1300x1300x1280	295



19" NETbox SLIM Wall Mounting Cabinets

5U + 5U: 10U

NETbox SLIM Wall Mounting Cabinet Features , Construction Details:

Monoblock construction provides better stability.

The NETbox SLIM Wall Mounting is for that situation where quick access to the equipment is of primary importance. It is designed to house 19" standard mounting devices, in environmentally fit needs especially in Residential applications and villas, modern and elegant offices, hotel reception and living areas

The NETbox SLIM Wall Mounting cabinet offers an assembly-friendly solutions for numerous applications in the field of network technology and electronics.

The 5U +5U :10U NETbox SLIM Wall Mounting cabinet Front door is splitted metal front door, with barrel lock on top and bottom.

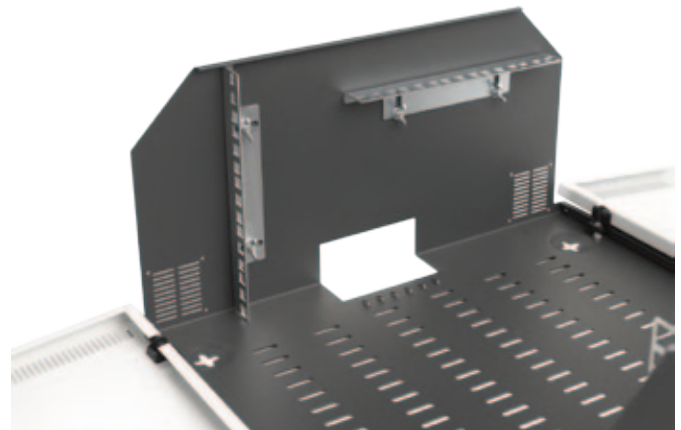
Cable access

*Multiple knock-out cable entry points on top and bottom with 40x104mm size and 2 pcs knock-out cable entry points 40x104mm at rear side.

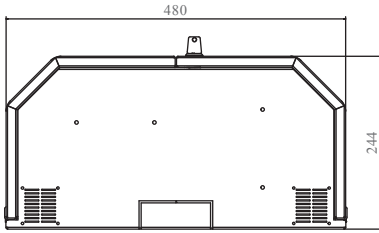
5U+5U=10 U version

19" Rails are horizontal and vertical configuration on the cabinet, 5U horizontal - 5U vertical. 19" rails are sliding at a channel of 20mm.

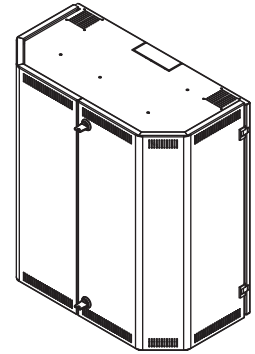
*** All 19" rails are connected to cabinet with wing nuts, which gives advantage of toolless application at site works.



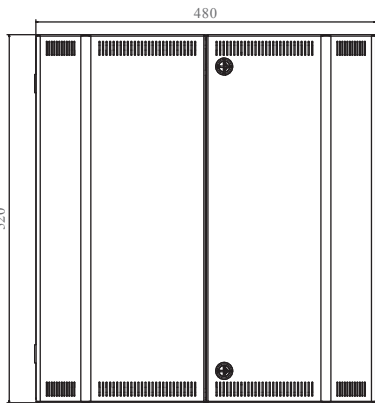
5U+5U: 10U
CONSTRUCTION
DRAWING



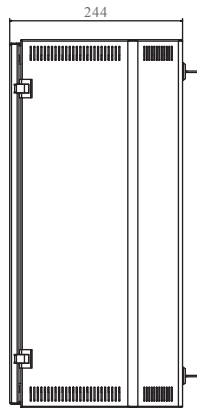
BOTTOM VIEW



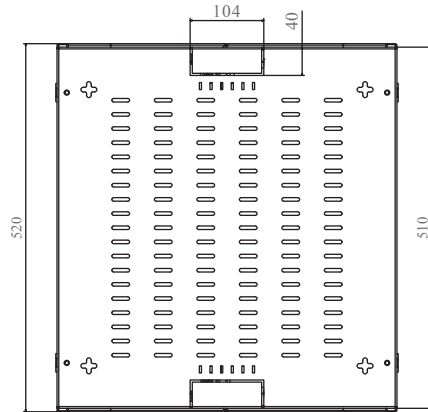
ISOMETRIC VIEW



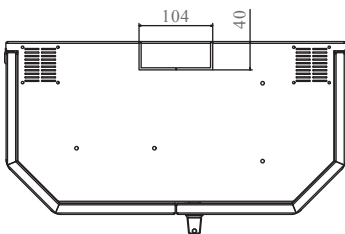
FRONT VIEW



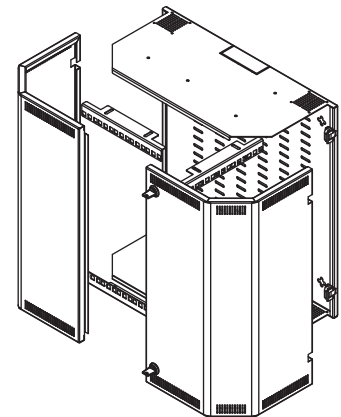
SIDE VIEW



REAR VIEW

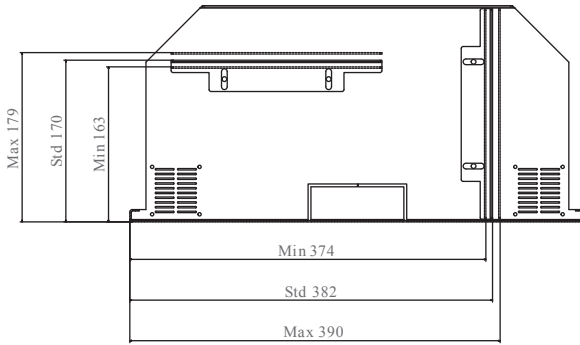


TOP VIEW

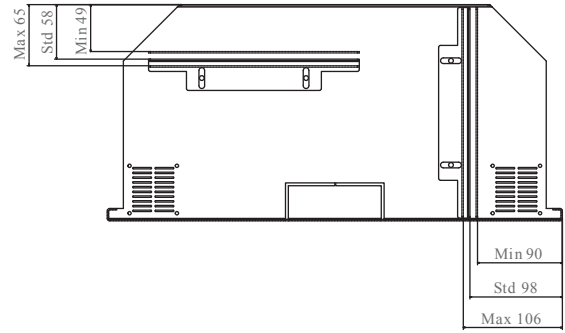


EXPLODED VIEW

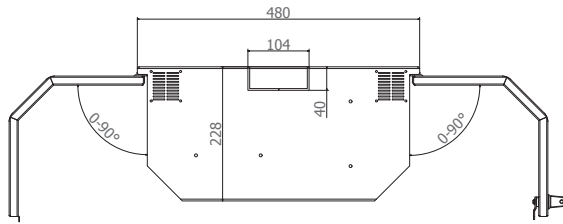
5U+5U: 10U
CONSTRUCTION
DRAWING



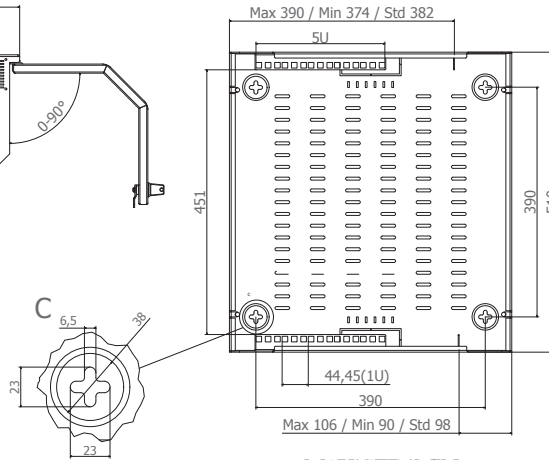
MAX/ STD / MIN EQUIPMENT MOUNTING DISTANCE



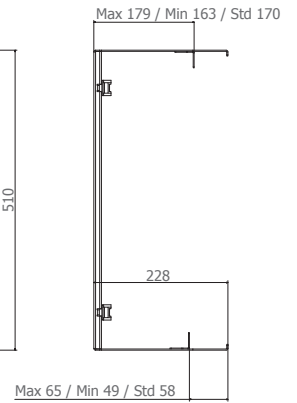
MAX/ STD / MIN EQUIPMENT MOUNTING DISTANCE



FRONT DOOR OPENING ANGLE



MAX/STD/ MIN EQUIPMENT MOUNTING DISTANCE



MAX/STD/ MIN EQUIPMENT MOUNTING DISTANCE

NETbox SLIM Series Wall Mounting 19" Cabinets W=480mm D=520mm

ROOT Product Number	Product Description	Size WxDxH mm	h size in U	Width Overall mm	Width Rail to Rail mm	Depth Overall mm	QTY IN PACKAGE	PACKING DIMENSIONS WxDxH mm	Standard NET Weight of product kgs	Gross Weight of Product kgs	QTY IN PALETTE	PALETTE DIMENSIONS WxDxH mm	Palette Weight kgs
LN-SLM10U4944-MD	NETbox Slim Series Wall Mounting Cabinet, 5U + 5U total 10U usage, Vertical or Horizontal equipment mounting possibility, 5U passive equipment mounting section, RAL 7016 / RAL 7035 Combination, Solid Metal Double Front door	480x250x522	5U+5U	480	19"	522	1	500x270x540	9,9	10,7	20	1300x1300x1280	265